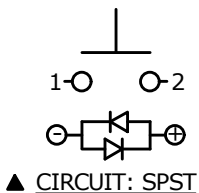
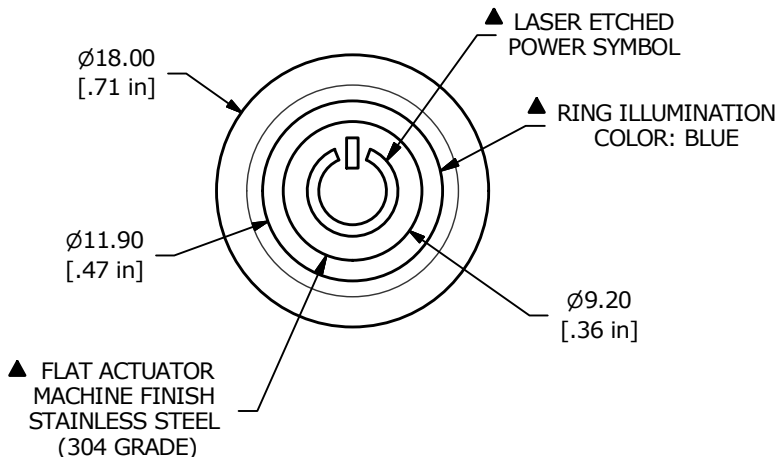


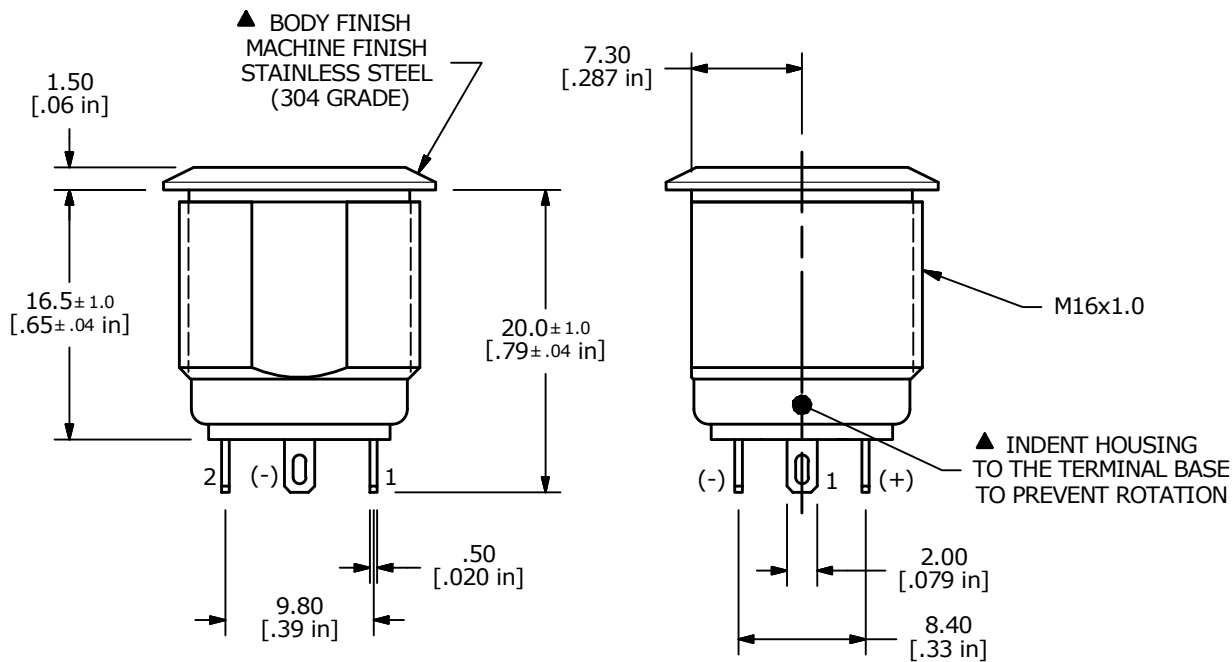
**RECOMMENDED PANEL CUTOUT**  
 MAX. PANEL THICKNESS  
 10.0 [.39 in]



▲ SWITCH FUNCTION	
POS. 1	POS. 2
OFF	(ON)
OPEN	1-2

(ON) = MOMENTARY

- NOTE:
1. ALL DIMENSIONS IN MM [INCH]
  2. GENERAL TOLERANCE: X.X = ±0.4  
X.XX = ±0.25
  3. TERMINAL NUMBERS FOR REF ONLY
  - ▲ 4. CONTACT MATERIAL: SILVER PLATED COPPER
  5. RATING: 2A 48VDC
  6. ELECTRIC LIFE: 200,000 MAKE-AND-BREAK CYCLES AT FULL LOAD.
  7. INSULATION RESISTANCE: 1,000 MΩ MIN.
  8. DIELECTRIC STRENGTH: 2,000 VAC MIN. FOR 1 MINUTE
  9. CONTACT RESISTANCE: 50mΩ MAX. @ 1A 12VDC
  10. OPERATING TEMP.: -20°C to 55°C
  - ▲ 11. TRAVEL: 1.8mm
  12. ▲ DENOTES CRITICAL PARAMETER.
  - ▲ 13. ILLUMINATION VOLTAGE: BASE VOLTAGE, 2.8V 20mA
  14. ILLUMINATION COLOR: BLUE (FORWARD), BLUE (REVERSE)
  15. HARDWARE SUPPLIED: O-RING AND HEXNUT (NOT SHOWN)



E	22995	Update Housing Indent Note	9/11/17	MW
D	22891	ADDED INDENTATION TO HOUSING	6/30/17	MJR
C	21174	ADD FLAT	7/15/13	EBP
REV	PCR NO	DESCRIPTION	DATE	BY

THE INFORMATION CONTAINED IN THIS DOCUMENT IS PROPRIETARY TO E-SWITCH AND IS NOT TO BE COPIED OR TRANSFERRED

TITLE PV6F240SS-341-M01				
SCALE	DATE	DR	DWG	REV
2:1	10/31/2011	BGL	52-PV6F240SS341M01	E